

STILO-BL

intercable
TOOLS

HYDRAULIC HOLE PUNCHING TOOL



Video STILO-BL

Flexible

Head swiveling and rotatable by 360°

Robust

Hydraulic head made of high-strength material

Ergonomic

Fatigue-free working and easy handling thanks to a balanced 2-component handle

Automatic Return

At the end of the punching cycle

Powerful

18V lithium-ion battery 1.5Ah for even more punching with one battery power

Intelligent

Multifunction LED to indicate the maintenance intervals (10.000 cycles)



www.intercable-tools.com



TECHNICAL CHARACTERISTICS

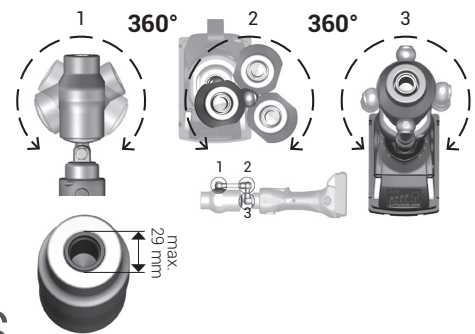
Suitable for punching round, square and rectangular holes up to max. 3 mm material thickness.

- Light, compact and robust construction
- Ergonomic 2-component handle allows fatigue-free working
- Head swiveling / rotating around 360 °
- Fast feed through 3-fold axial piston pump
- Pressure monitoring by electronic pressure sensor
- Fast tool returns through patented return valve
- Manual return possible in any position
- Punch detection, automatic return after releasing from the start switch at the completed punching cycle or by reaching the maximum force
- Powerful Li-ion battery
- Fall arrester by means of a hand strap
- Application Temperature range: -10 ° C / + 40 °

Punch performance (max. sheet thicknesses):

- Max Ø63,5 mm: 3,0 mm St-Material/2,5 mm VA-Material
- Max 68,0 x 68,0 mm: 3,0 mm St-Material/1,5 mm VA-Material
- Max 92,0 x 92,0 mm: 2,5 mm St-Material/1,5 mm VA-Material
- Bigger than 92,0 x 92,0 mm till 138,0 x 138,0 mm 2 mm St-Material

- Hydraulic force: 60 kN
- Head rotation: 360°
- Operating Pressure: 680 bar
- Battery voltage: 18 V
- Weight (with battery): ca. 2,3 kg
- Device dimensions loose with battery: 398x126x82 mm
- Dimensions/Tool: L x W x H: 560x357x120 mm
- Weight/Tool: 5,5 kg
- Max Ø63,5 mm: 5,0 mm AL and Cu Material



SET OF EQUIPMENT & ACCESSORIES

- Hydraulic cordless puncher Stilo BL
- Battery 18V-1.5Ah (2.0Ah) Li-Ion
- Battery charger (LG8)
- Robust plastic case for holding the tool, spare battery, charger and hole inserts
- 1x Draw stud 9,5 x 19,0 mm
- 1x Draw stud 19,0 x 125,0 mm
- 1x Distance socket
- 1x Tube anti-wear paste
- HSS Multi step drill for pre-drilling
- USB cable
- CD-ROM (Software)
- Operating instructions, safety and maintenance instructions



STILO-BL SET

OPTIONAL

- 230V AC mains adapter (NG3)



NG3

